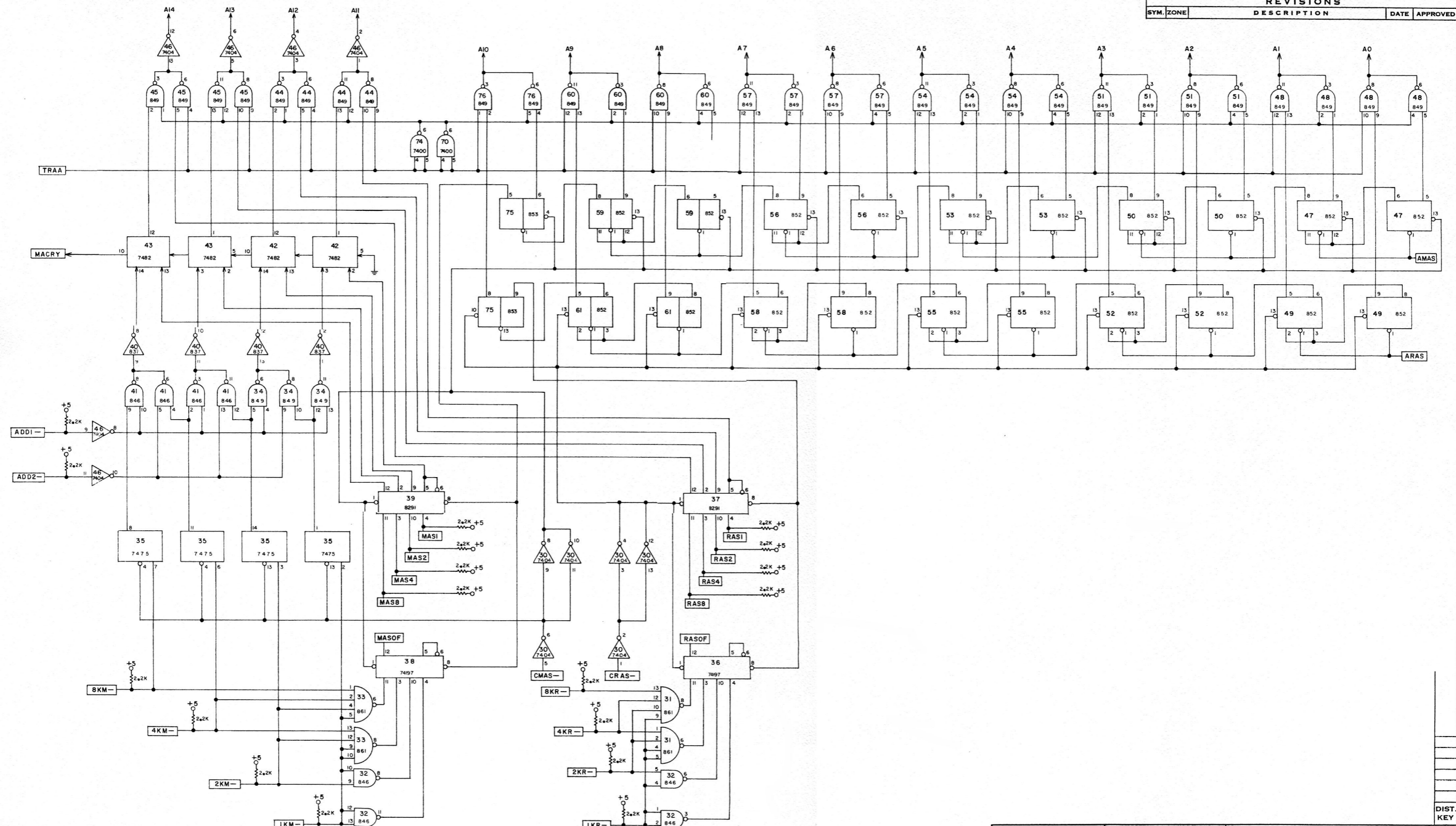


REVISIONS				
SYM.	ZONE	DESCRIPTION	DATE	APPROVED



REV.

DIST. KEY

UNLESS OTHERWISE SPECIFIED DIMENSIONS ARE IN INCHES AND TOLERANCES ARE FRACTIONS DECIMALS ANGLES ± ± ± ✓ INDICATES SURFACE ROUGHNESS PER MIL-STD-10	REMOVE ALL BURRS BREAK ALL SHARP CORNERS		NICOLET INSTRUMENT CORPORATION 5225 Verona Road, Madison, Wisconsin 53711		
	DRAWN: <i>[Signature]</i>	DATE:		TITLE: MEASURE & READOUT ADDRESS SCALER FOR MODEL 1089	
	CHECKED:	APPROVED:		CODE IDENT. NO.:	SIZE: C DWG. NO.: (BOARD 2)
	APPROVED:	APPROVED:		SCALE:	SHEET 4 of 4
NEXT ASSY: APPLICATION:	USED ON:	SPEC. FINISH: SPEC.	SPEC.		