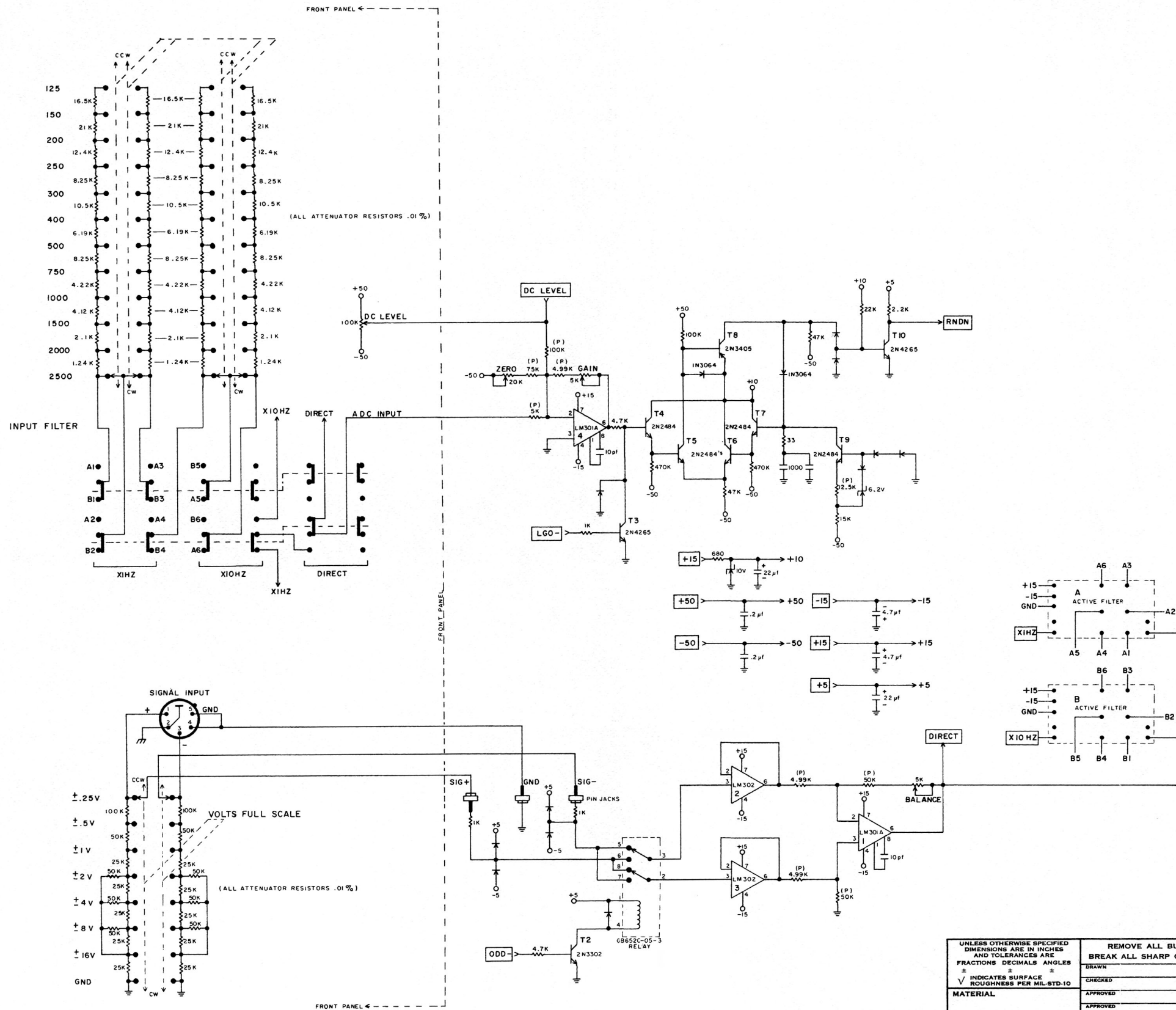


REVISIONS			
SYM. ZONE	DESCRIPTION	DATE	APPROVED



SIGNAL	CONNECTOR PIN	TO
GND	D-1	
+5	D-3	
-5	D-5	
	D-7	
	D-9	
	D-11	
	D-13	
	D-15	
	D-17	
	D-19	
	D-21	
	D-23	
	D-27	
	D-29	
	D-31	
	D-33	
	D-35	
	D-37	
GND	D-39	
	D-41	
	D-43	
	D-45	
	D-47	
	D-49	
	D-51	
	D-53	
	D-55	
	D-57	
DIRECT	D-59	FPB-20
X10 HZ	D-61	FPD-18
X1 HZ	D-63	FPC-18
	D-65	
	D-67	
+15	D-69	
-15	D-71	
	D-73	
	D-75	
	D-77	
+50	D-79	

GND	D-2	
+5	D-4	
-5	D-6	
	D-8	
RNDN	D-10	G-36
	D-12	
	D-14	
	D-16	
	D-18	
LGO-	D-20	H-43
	D-22	
	D-24	
	D-26	
ADC INPUT	D-28	FPA-20
DC LEVEL	D-30	FPA-6
	D-32	
	D-34	
ODD-	D-36	H-34
	D-38	
GND	D-40	
	D-42	
A3	D-44	FPA-17
A2	D-46	FPB-15
A1	D-48	FPB-17
B3	D-50	FPA-16
B2	D-52	FPA-15
A6	D-54	FPA-19
A5	D-56	FPA-18
A4	D-58	FPB-14
B6	D-60	FPB-19
B5	D-62	FPB-18
B1	D-64	FPB-16
B4	D-66	FPA-14
	D-68	
+15	D-70	
-15	D-72	
	D-74	
	D-76	
	D-78	
+50	D-80	

UNLESS OTHERWISE SPECIFIED  
DIMENSIONS ARE IN INCHES  
AND TOLERANCES ARE  
FRACTIONS DECIMALS ANGLES  
± ± ±  
√ INDICATES SURFACE  
ROUGHNESS PER MIL-STD-10  
MATERIAL  
SPEC.  
FINISH  
NEXT ASS'Y USED ON APPLICATION

REMOVE ALL BURRS BREAK ALL SHARP CORNERS		
DRAWN		DATE
CHECKED		
APPROVED		

NICOLET INSTRUMENT CORPORATION <small>2225 Verona Road, Madison, Wisconsin 53711</small>			
TITLE SD-82 ANALOG/DIGITAL CONVERTER ANALOG BOARD BOARD LOCATION "D"			
CODE IDENT. NO.	SIZE D	DWG. NO.	
SCALE		SHEET	