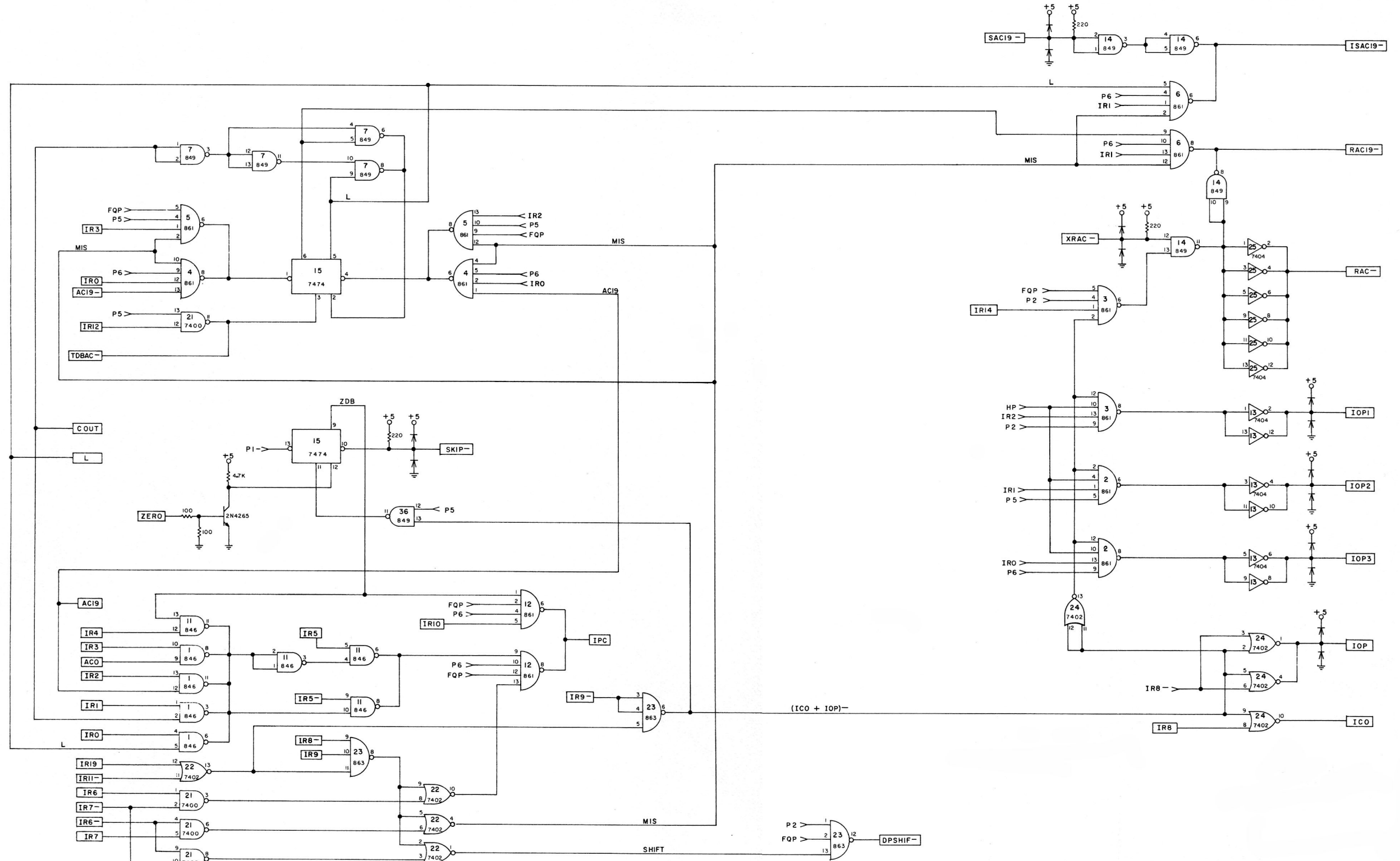


REVISIONS			
SYM. ZONE	DESCRIPTION	DATE	APPROVED



UNLESS OTHERWISE SPECIFIED DIMENSIONS ARE IN INCHES AND TOLERANCES ARE FRACTIONS DECIMALS ANGLES ± ± √ INDICATES SURFACE ROUGHNESS PER MIL-STD-10		REMOVE ALL BURRS BREAK ALL SHARP CORNERS		 NICOLET INSTRUMENT CORPORATION 5225 Verona Road, Madison, Wisconsin 53711	
DRAWN	GW	DATE		TITLE DATA PROCESSOR CONTROL BOARD (IOP GENERATOR TEST & MIS LOGIC) 1080	
CHECKED				CODE IDENT. NO.	
APPROVED				SIZE D (BOARD 4)	
SPEC. FINISH				SCALE	
NEXT ASS'Y APPLICATION	USED ON			SHEET 1 of 3	