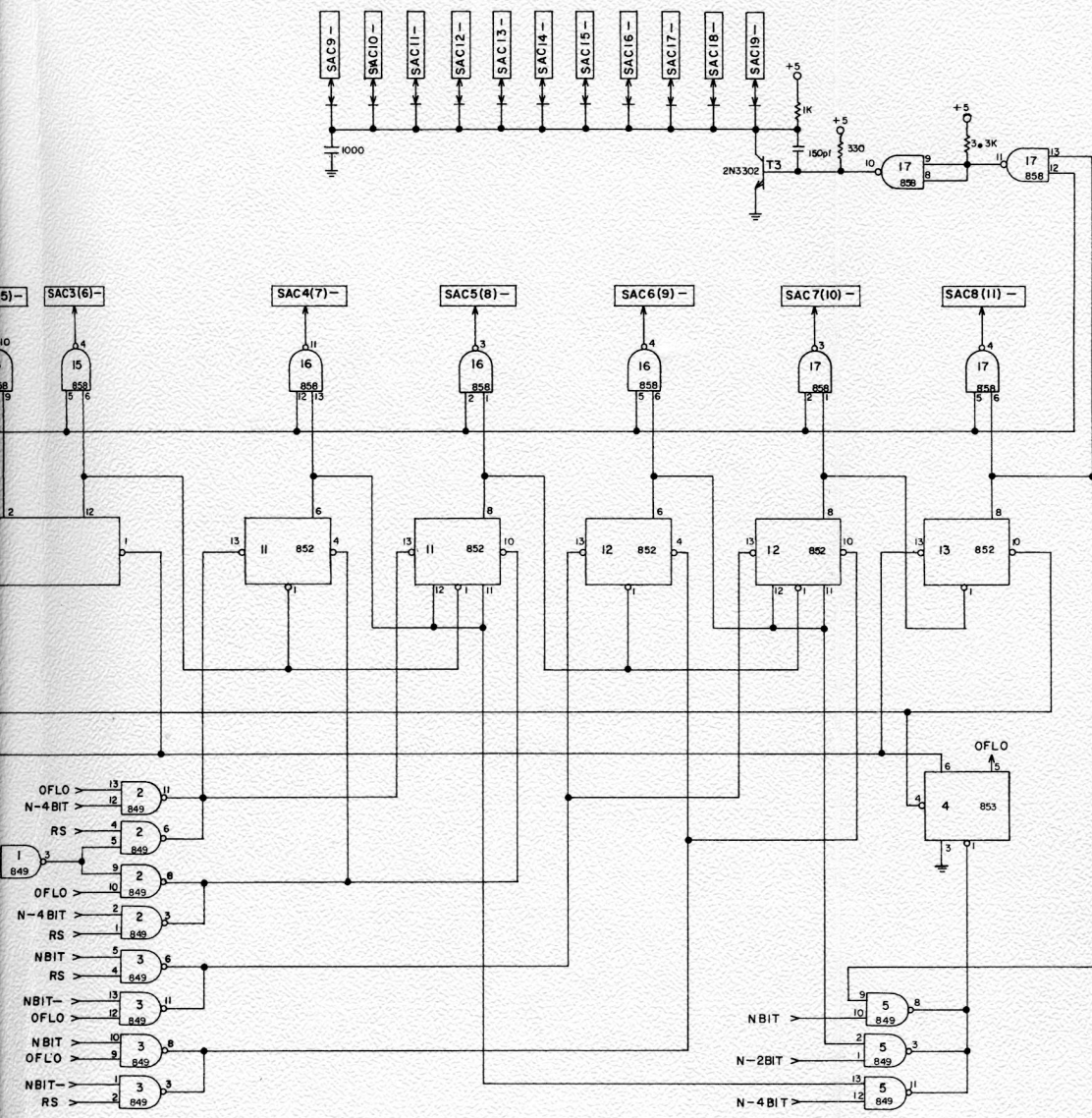


REVISIONS			
SYM. ZONE	DESCRIPTION	DATE	APPROVED

CONNECTOR
SIGNAL PIN TO

GND	G-1	
+5	G-3	
-5	G-5	
	G-7	
	G-9	
	G-11	
	G-13	
	G-15	
	G-17	
	G-19	
	G-21	
	G-23	
	G-25	
	G-27	
	G-29	
SAC19-	G-31	A-40
SAC18-	G-33	A-38
SAC17-	G-35	A-36
SAC16-	G-37	A-34
GND	G-39	GND
SAC15-	G-41	A-32
SAC14-	G-43	A-30
	G-45	
	G-47	
	G-49	
	G-51	
	G-53	
	G-55	
TDAC	G-57	H-47
SAC6-	G-59	A-14
SAC5-	G-61	A-12
SAC4-	G-63	A-10
SAC3-	G-65	A-8
	G-67	
+15	G-69	
-15	G-71	
	G-73	
-50	G-75	
	G-77	
+50	G-79	
GND	G-2	
+5	G-4	
-5	G-6	
	G-8	
	G-10	
	G-12	
	G-14	
	G-16	
	G-18	
	G-20	
	G-22	
	G-24	
	G-26	
	G-28	
N-4BIT-	G-30	FPC-20
NBIT-	G-32	FPC-19
N-2BIT-	G-34	FPD-19
RNDN	G-36	D-10
RESETD-	G-38	H-45
GND	G-40	
SAC13-	G-42	A-28
SAC12-	G-44	A-26
SAC11-	G-46	A-24
SAC10-	G-48	A-22
SAC9-	G-50	A-20
SAC8-	G-52	A-18
SAC7-	G-54	A-16
SAC1-	G-56	A-4
SAC2-	G-58	A-6
SAC0-	G-60	A-2
	G-62	
	G-64	
	G-66	
	G-68	
+15	G-70	
-15	G-72	
	G-74	
-50	G-76	
	G-78	
+50	G-80	



REV.

DIST. KEY

UNLESS OTHERWISE SPECIFIED DIMENSIONS ARE IN INCHES AND TOLERANCES ARE FRACTIONS DECIMALS ANGLES ± ± ± √ INDICATES SURFACE ROUGHNESS PER MIL-STD-10		REMOVE ALL BURRS BREAK ALL SHARP CORNERS		 NICOLET INSTRUMENT CORPORATION 5225 Verona Road, Madison, Wisconsin 53711	
MATERIAL		DRAWN		TITLE	
SPEC.		CHECKED		SD-82 ANALOG TO DIGITAL CONVERTER	
FINISH		APPROVED		A/D DATA SCALER	
APPLICATION		APPROVED		BOARD LOCATION "G"	
NEXT ASS'Y	USED ON	CODE IDENT. NO.		SIZE	DWG. NO.
		SCALE		D	
SPEC.				SHEET	