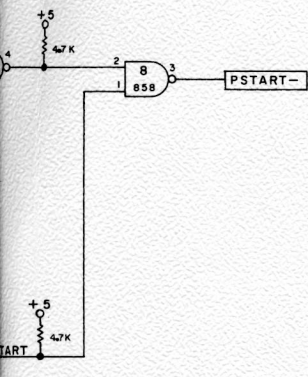
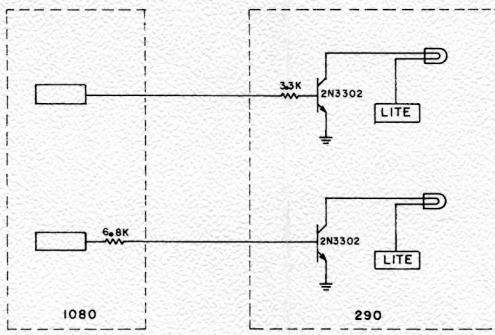
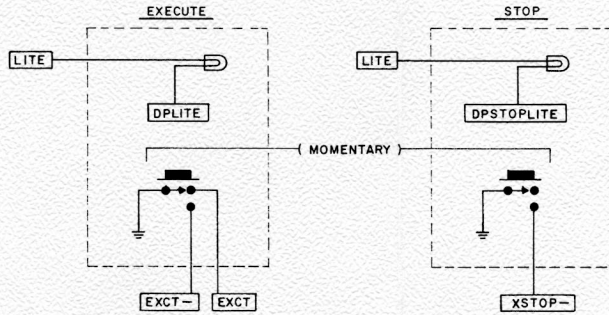
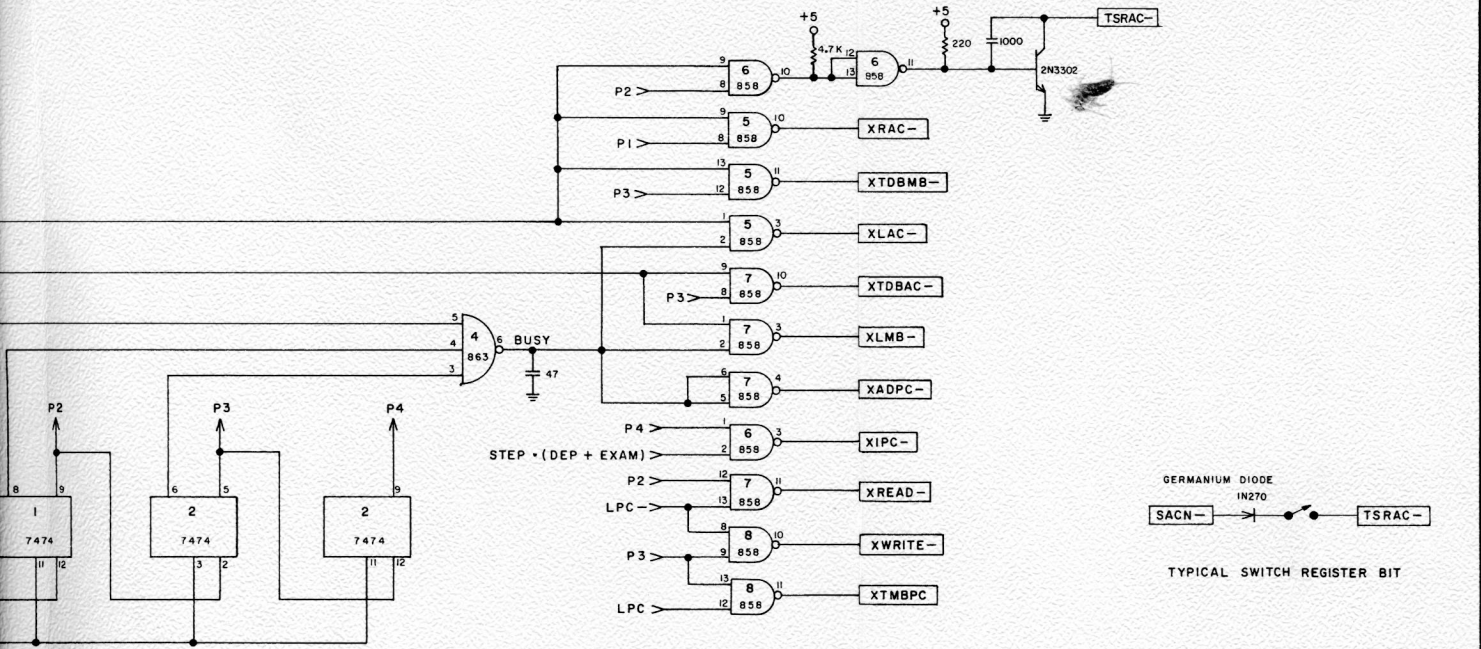


REVISIONS			
SYM.	ZONE	DESCRIPTION	DATE APPROVED



REV.

DIST. KEY

UNLESS OTHERWISE SPECIFIED DIMENSIONS ARE IN INCHES AND TOLERANCES ARE FRACTIONS DECIMALS ANGLES ± ± ± √ INDICATES SURFACE ROUGHNESS PER MIL-STD-10	REMOVE ALL BURRS BREAK ALL SHARP CORNERS		NICOLET INSTRUMENT CORPORATION 5225 Verona Road, Madison, Wisconsin 53711	
	DRAWN	GW		DATE
	CHECKED			
	APPROVED			
MATERIAL			TITLE	
SPEC. FINISH			MODEL 290 DISPLAY/CONTROL	
NEXT ASS'Y	USED ON		CODE IDENT. NO.	
APPLICATION	SPEC.		SIZE D	
			SCALE	
			SHEET 1 of 1	